

1 2 3 4 5 6 7 8

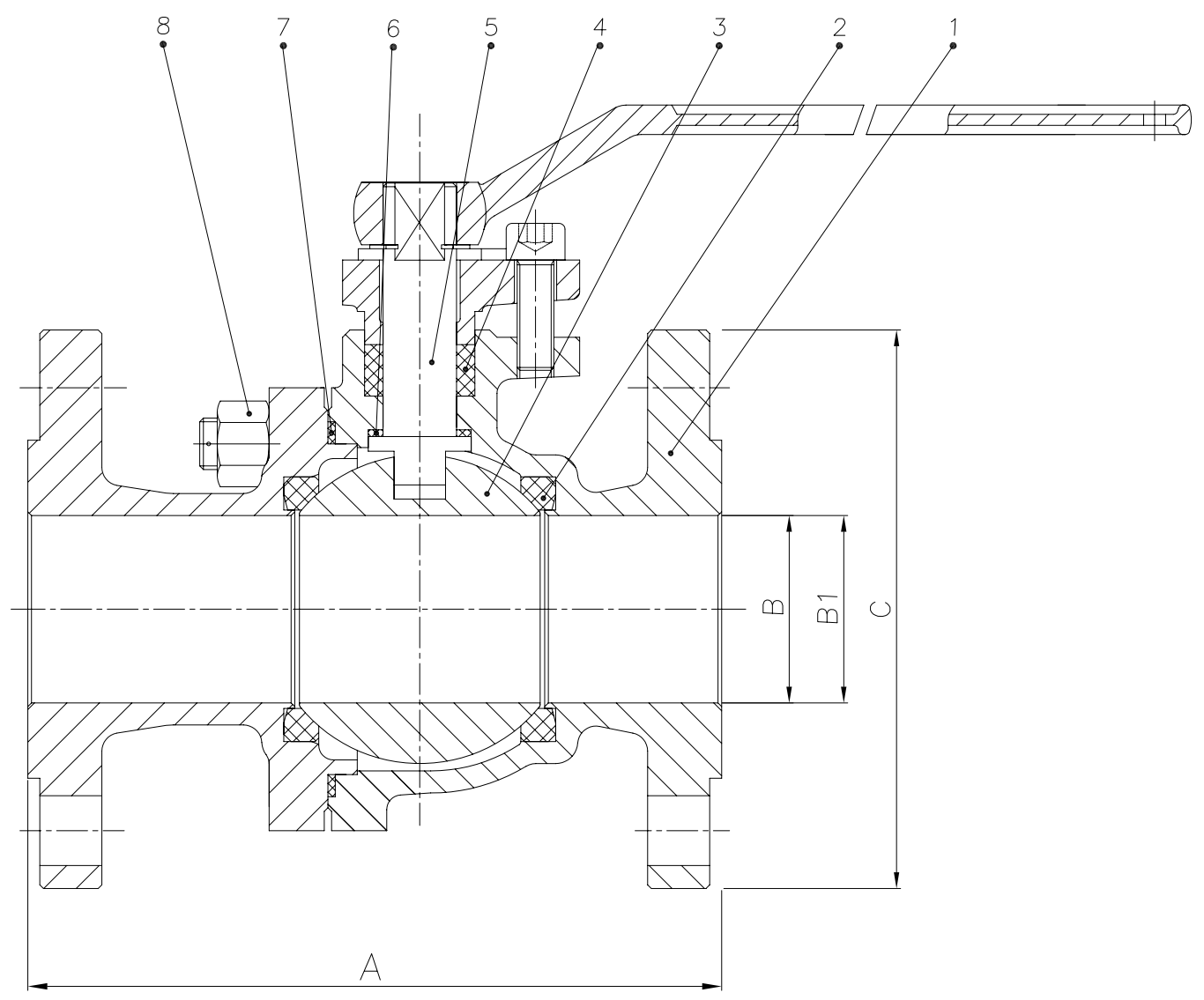
A

B

C

D

E



8	BOLTING	ASTM A193 B7/M A194 Gr.2HM/ ASTM A193 L7/M A194 Gr.7/M	ASTM A193 B8M/ A194 Gr.8M
7	GASKET	SS304+GRAPHITE	
6	LOWER THRUST WASHER	PTFE	
5	STEM	ASTM A182 F316	
4	STEM SEAL	PTFE	
3	BALL	ASTM A351 CF8M	
2	SEAT RING	RPTFE	
1	BODY/CLOSURE	ASTM A216 WCB/WCC ASTM A352 LCB/LCC	ASTM A351 CF8M

NO	PART NAME	MATERIAL	NOTES
----	-----------	----------	-------

NOTES
1
2
3

Size	A	B	B1	C
1/2"	140	12	12	95
3/4"	152	20	20	118
1"	165	25	25	124
1 1/2"	190	38	38	156
2"	216	51	51	165
3"	283	77	77	210
4"	305	102	102	254
6"	403	152	152	318
8"	502	203	203	381
10"	568	254	254	445

DESIGN CODE	API 6D/ANSI B16.34	TEST PRESSURES		
FACE TO FACE DIMENSIONS	ASME B16.10	BODY	76.6	Barg
ENDS FLANGES DIMENSIONS	ASME B16.5	SEAT	56.2	Barg
TESTING CODE	API 598	SEAT - AIR	6.0	Barg

REV	DATE	DESCRIPTION	BY	CHK	APP

SCALE:		
DRAWN	DM	DATE: 16/02/11
CHECKED	SMN	DATE
APPROVED	AW	DATE

DRAWING TITLE:  
API 6D, CARBON/STAINLESS STEEL CLASS 300  
FLOATING BALL, RF, FB, BALL VALVE

CLIENT:  
VENDOR PO REF:  
EVC REF:



CAD. No.	DRAWING NUMBER: 120013	REV 00
AREA No.1	FACILITY	TYPE
SEQ. No.	SHT. No.	

MATERIALS TO NACE MR0175 LATEST EDITION (WETTED PARTS).

1 2 3 4 5 6 7 8